

ST SUPER THERMOCOUPLES

MODEL SST-111N

**\*GENERAL SPECIFICATION**

- PROBE TYPE SUPER SHEATHED TYPE
- TRANSITION UNIVERSAL STANDARD DIN CONNECTOR TYPE
- MOUNTING TYPE NONE

**\*ORDER SPECIFICATION**

ELEMENT

**1 CALIBRATION**

- 1. N  2. K

**2 GRADE**

- 1. CLASS 1  2. CLASS 2
- 3. CLASS 3  4. OTHER [ ]

**3 NUMBER OF ELEMENT WIRE**

- 1. 2-WIRE [SINGLE]  2. 4-WIRE [DUAL]

**4 TYPE OF HOT JUNCTION**

- 1. GROUNDED TYPE  2. UNGROUNDED TYPE
- 3. EXPOSED TYPE

SHEATHED TUBE

**5 MATERIAL**

- 1. SUPPER ALLOY  2. OTHER [ ]

**6 OUT DIA (øD)**

- 1. 0.25  2. 0.5  3. 1.0  4. 1.6
- 5. 2.3  6. 3.2  7. 4.8  8. 6.4
- 9. 8.0  10. OTHER [ ]

**7 LENGTH (L)**

- \_\_\_\_\_ mm

SLEEVE

**8 OUT DIA (øDn)**

- \_\_\_\_\_

**9 LENGTH (A)**

- \_\_\_\_\_ mm

EXTENSION WIRE

**10 INSULATION**

- 1. SHIELD  2. PVC
- 3. GLASS  4. OTHER [ ]

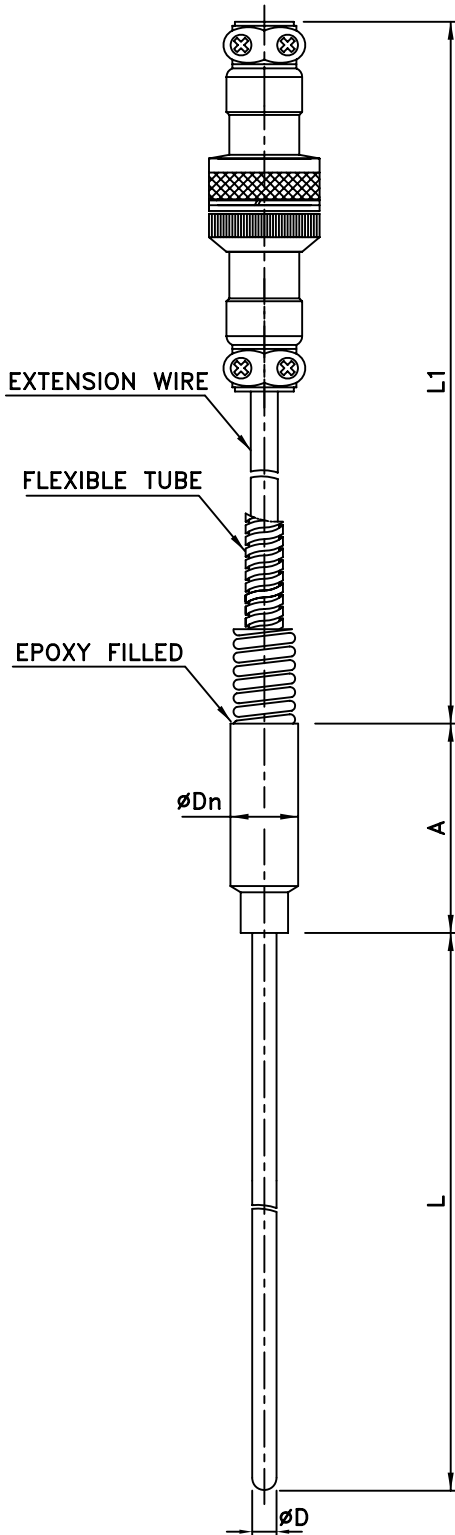
**11 COVERD MATERIAL**

- 1. NONE  2. FLEXIBLE TUBE  3. OTHER [ ]

**12 LENGTH (L1)**

- \_\_\_\_\_ mm

SPECIAL REQUIREMENT



5					CUSTOMER  	Design		Scale	N.S
4						Checked		Wt Est - Kg	
3						Approved		Date	
2						TITLE			
1						MODEL			
Item	Part Name	Material	Q'ty	Remark					